

SmartMOD

6th Generation Intel® Core™ Processor Ultra-compact Fanless Box Computer



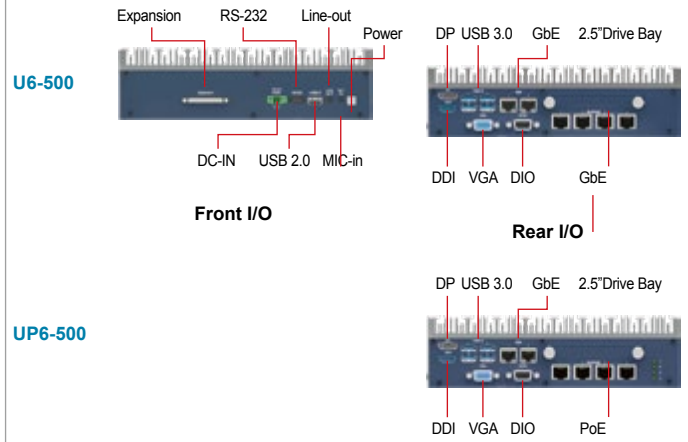
Specifications

System	
CPU	6th gen. Intel® Core™ i7-6600U, 2.6 GHz, Dual Core, Turbo Boost 3.4 GHz, 4 MB Cache, TDP 15W, GT2 Graphics 6th gen. Intel® Core™ i5-6300U, 2.4 GHz, Dual Core, Turbo Boost 3.0 GHz, 3 MB Cache, TDP 15W, GT2 Graphics 6th gen. Intel® Core™ i3-6100U, 2.3 GHz, Dual Core, 3 MB Cache, TDP 15W, GT2 Graphics Intel® Celeron® 3955U, 2.0 GHz, Dual Core, 2 MB Cache, TDP 15W, GT1 Graphics
Chipset	Integrated PCH-LP
BIOS	AMI Aptio® UEFI 2.x firmware
Memory	SO-DIMM DDR4 up to 2133 MT/s 2x SO-DIMM socket, up to 32GB
Graphics	
Display	1x DDI/VGA 1x DP
Controller	Intel® HD Graphics Generation 9
Power	
DC Input	9~32VDC
Mechanical	
Dimensions (WxDxH)	238 x 129 x 63.7mm
Weight	1.7Kg
External IO	
Ethernet	6x RJ45 GbE (U6-500) 2x RJ45 GbE (UP6-500)
PoE	4x RJ45 GbE with 802.3at PoE PSE (UP6-500)
USB 3.0/2.0	4x USB 3.0/2.0 port, 1x USB 2.0
COM	1x RS-232/422/485, 5x RS-232
Digital I/O	16-bit programmable GPIO
Audio	1x Mic in, 1x Line out
Storage	
SATA	1x mSATA socket
Drive Bay	1x 2.5" Removable
SIM	2x USIM slot
Expansion Slot	
Mini-PCIe	2x full length Mini-PCIe socket (PCIe + USB + USIM)
Other	
Watchdog Timer	Multistage
Smart Battery Management	ACPI 5.0 compliant (Reserve)
Environment	
Operating Temperature	Operation: -20°C~60°C
Storage Temperature	Storage: -40°C~85°C Operation: 10% to 90%
Operating Humidity	10% ~ 90% Humidity, non-condensing
Storage Humidity	5% ~ 95% Humidity, non-condensing
Certification	CE/CB/FCC Class A
OS Support	
Windows	Windows 10 Windows 10 IoT 64-bit Windows 8 Windows Embedded 8 Standard Windows 7 Windows 7 embedded compact
Linux	Linux

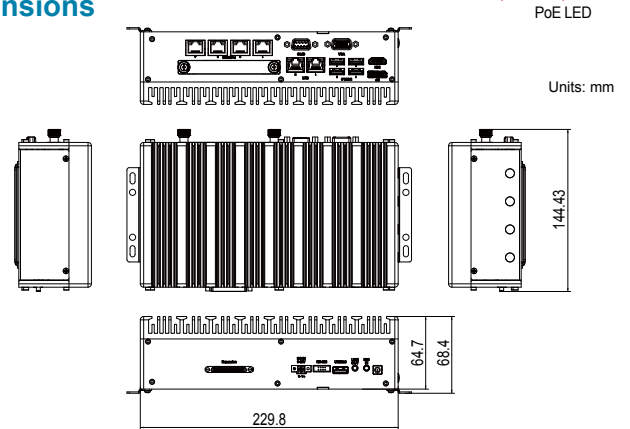
Features

- Ultra-compact size: 238 x 129 x 63.7mm
- 6th gen Intel® Core™ processor (formerly Skylake)
- Wide-Range DC voltage input: 9V~32V
- Fanless system, aluminum alloy structure
- 6x RJ45 GbE Ethernet
- 1x RS-232/422/485, 5x RS-232
- Multi display: 1x DDI/VGA and 1x DP
- 2x Mini-PCIe with SIM socket (PCIe + USB + USIM)
- 1x mSATA socket, 1x 2.5" drive bay for HDD/SSD
- 16-bit programmable GPIO

I/O Interfaces



Dimensions



Ordering Information

Model Name	
U6-567	Core™ i7-6600U
U6-565	Core™ i5-6300U
U6-563	Core™ i3-6100U
U6-561	Celeron 3955U

Optional Accessories

Model Name	
SSD	mSATA 32GB/64GB/128GB/256GB
Adapter	24VDC/60W/120W/160W power adapter
Power Cord	US/Germany/UK/Australia/China
Wireless Module	3G/3G + GPS/4G/4G + GPS/4G + WIFI